



Automated Multi Blades Cutter

Cut a panel with marking points and lines for blind and other industrial fabrics.

SRC-M2



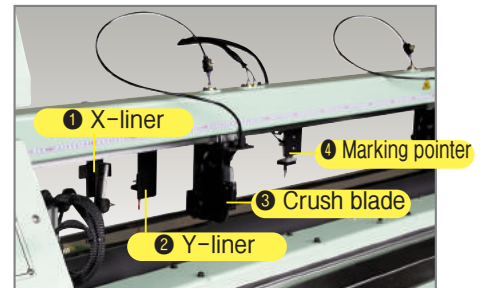
? Model. SRC-M2

? Features

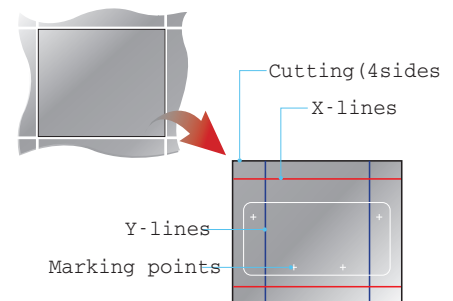
- Longitudinal (Y axis) and cross (X axis) cutting is performed simultaneously by crush and knife blade.
- Easy to change and set blades.
- Electronic tension control for coordinating with different fabrics and different working conditions.
- Touch screen and PLC control for simple job handling.
- USB memory data transportation feature.
- Additional marking and lining devices are available (Optional)
- Automatic re-winding feature(Optional)

? Specification

Electricity	AC 240V ~ 110V / Single Phase (50/60Hz)
Compressed air	6kg/cm ²
Cutting blade (X & Y axis)	Knife & Crush blade (3 changeable bald units for Y axis & 1 unit of knife blade for X axis)
Machine Size (2,700mm)	
Effective Cutting width	2,700mm / 3,100mm (* Customer demand cutting width is available)
Control	Touch screen & Programmed PLC control



• Crush blades, Marking pointers & Liners



• Lines & marking points(Optional)



• Rewinding device(Optional)

